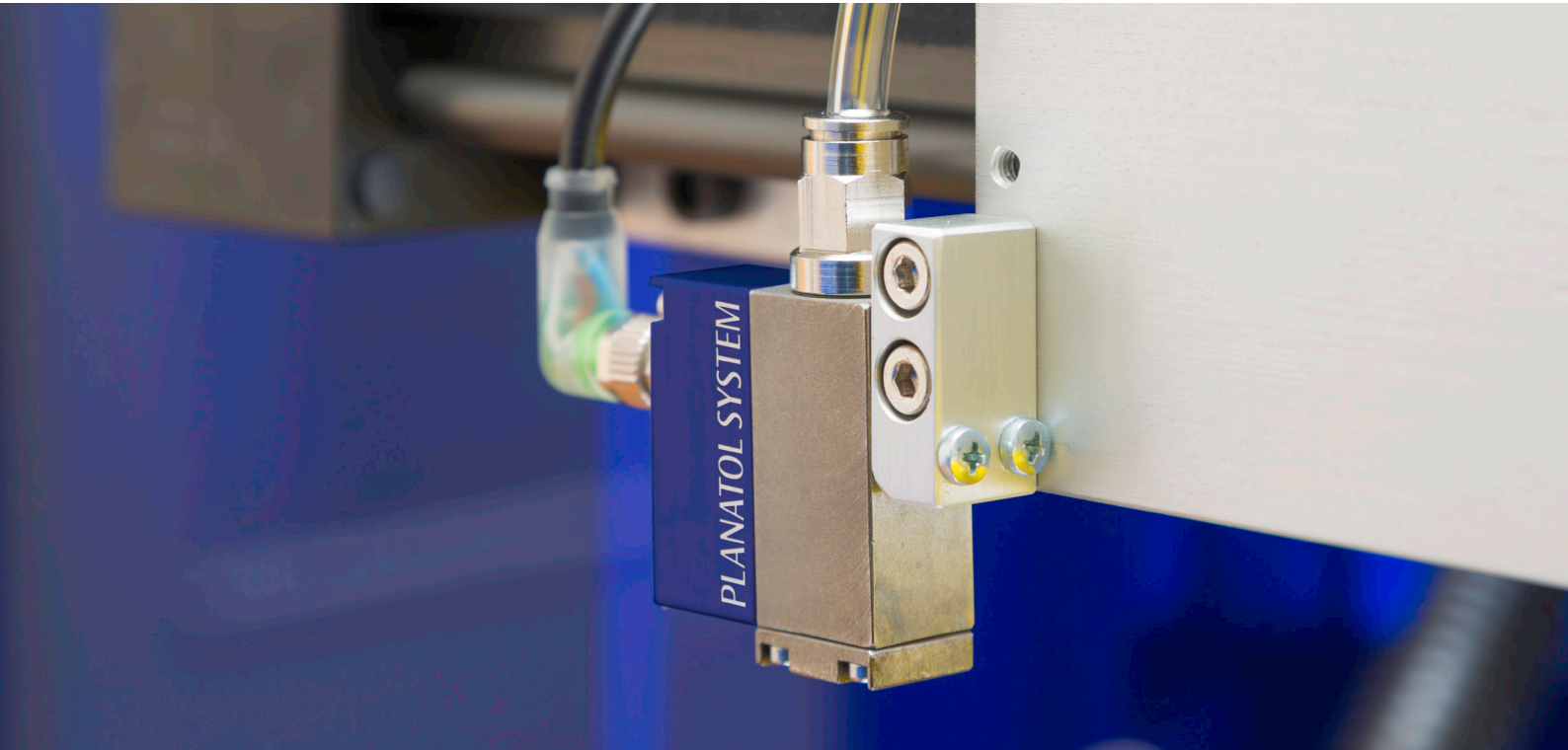


Applicator Head AKS-250



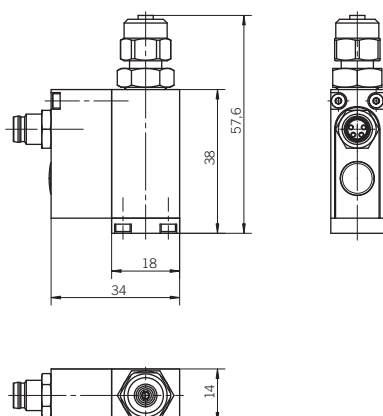
Equipment Features

- Very slim design
- Universal applicator head for gluing and softening
- Exact intermittent application
- Long service life
- Non-contact application
- Electronic control

Fields of Application

- Print processing
- Packaging
- Foil gluing
- Special machines
- Graphic industry

Description



Characteristics

- Non-contact application of dots and lines
- Very slim design
- Product monitoring (optional)
- Flash button on board
- Easy to cleaning due to non-stick coating
- Heatable (optional)

Technical Data

Frequency	Up to 1.000 Hz (depending on media)
Sensor	optional
Temperature range	0 – 55 °C
Adhesive connection	G1/8 , hose – outside diameter 6 mm
Adhesive pressure	0 – 10 bar
Nozzle-Ø	0,2 mm, 0,3 mm, 0,4 mm (others available on request)
Field of application	for low-viscosity media