

Applicator Head AS-102



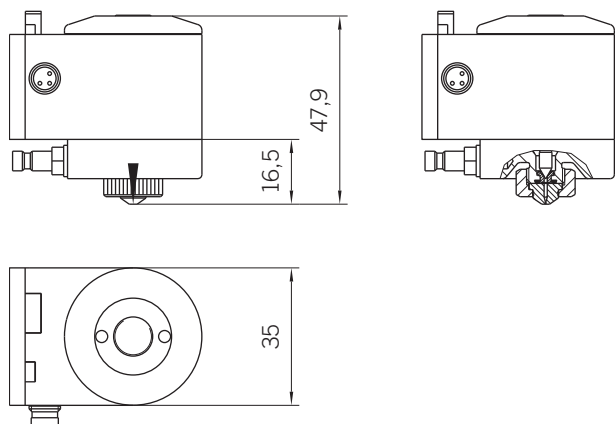
Characteristics

- Applicator heads for low product speeds
- Contact and non-contact application
- For media with low viscosities
- Can be actuated with 24 V DC
- Long service life

Fields of Application

- Continuous application (endless product)
- Folding aid
- Packaging
- Product marking

Description



Equipment Features

- Compact design
- Selectable with 24V DC as standard feature
- Quickly interchangeable nozzles
- Media supply independent of position
- Quick coupling for media supply
- Pluggable control line

Technical Data

Voltage	24 V DC
Sensor	optional
Temperature range	5 – 55 °C
Adhesive connection	M5 quick coupling
Adhesive pressure	0 – 6 bar
Nozzle Ø in mm	0,2; 0,3; 0,5 (more sizes on stock)
Doppelspur	0,5 – 1 – 0,5 (more sizes on stock)
Frequency	< 50 Hz