

Applicator Head AKS-100



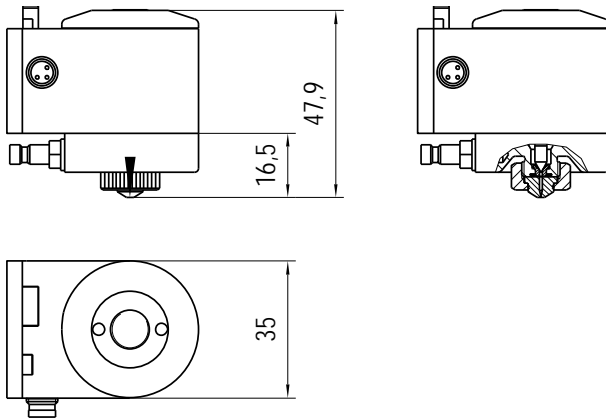
Characteristics

- Universal applicator head for gluing, dosing and softening
- Small design height
- Exact intermittent application
- Long service life
- Applicator head both for contact and non-contact application
- Changing of head, nozzles and media supply without tools
- Without compressed air, electronic

Fields of Application

- Printing presses
- Print processing
- Packaging
- Foil gluing
- Special machines
- Graphic industry

Description



Equipment Features

- Thin glue lines through abrasion-resistant ceramic nozzles
- Quickly interchangeable nozzles
- Media supply independent of position
- Compact structure
- Nozzles for double glue line optional
- Product monitoring optional

Technical Data

Frequency	120 Hz (depending on medium)
Sensor	optional
Temperature range	0 – 55 °C
Adhesive connection	M5 quick coupling
Adhesive pressure	0 – 10 bar
Nozzle Ø in mm	0.2; 0.3; 0.5 (more sizes on stock)
Double glue line	0.5 – 1 – 0.5 (more sizes on stock)